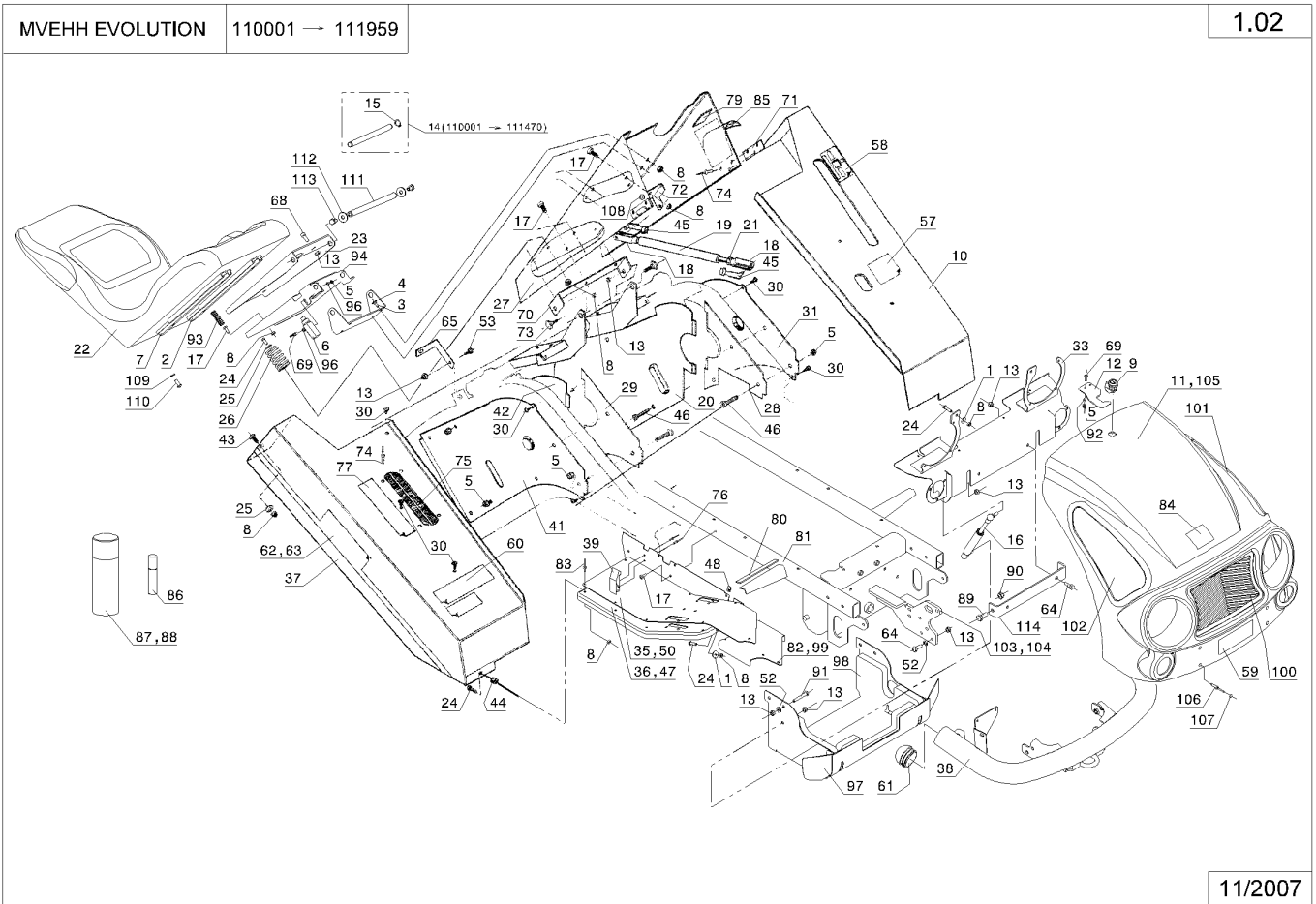


Numero	Codice	Nome	Quantità
1	22029	22029	1,000
2	30714	30714	1,000
3	71069	71069	1,000
4	32104	32104	1,000
5	37561	37561	1,000
6	31405	31405	1,000
7	37079	37079	1,000
8	71201		1,000
9	32126	32126	1,000
10	25149	25149	1,000
11	39327	39327	1,000
12	32136	32136	1,000
13	71205		1,000
14	32105	32105	1,000
15	71036	71036	1,000
16	32015	32015	1,000
17	37997	37997	1,000
18	71079	71079	1,000
19	25172	25172	1,000
20	25158	25158	1,000
21	1557	1557	1,000
22	30691	30691	1,000
23	32106	32106	1,000
24	20693	20693	1,000
26	25958	25958	1,000
27	32121	32121	1,000
28	25159	25159	1,000
29	25160	25160	1,000
30	71111	71111	1,000
31	25171	25171	1,000
33	32117	32117	1,000
35	32131	32131	1,000
36	26666	26666	1,000
37	25169	25169	1,000
38	32101	32101	1,000
39	25753	25753	1,000
41	25170	25170	1,000
42	25157	25157	1,000
43	71108	71108	1,000
44	25887	25887	1,000
45	71186	71186	1,000

Numero	Codice	Nome	Quantità
46	5399	5399	1,000
47	26667	26667	1,000
48	6178	6178	1,000
50	32130	32130	1,000
52	7335		1,000
53	71413	71413	1,000
57	13020	13020	1,000
58	12005	12005	1,000
59	12048	12048	1,000
60	13222	13222	1,000
61	28056	28056	1,000
62	12038	12038	1,000
63	12039	12039	1,000
64	9056	9056	1,000
65	25907	25907	1,000
68	22011	22011	1,000
69	71231	71231	1,000
70	25164	25164	1,000
71	25754	25754	1,000
72	25166	25166	1,000
73	40102	40102	1,000
74	71114	71114	1,000
75	25755	25755	1,000
76	71139	71139	1,000
77	13040	13040	1,000
79	25945	25945	1,000
80	25946	25946	1,000
81	26281	26281	1,000
82	32132	32132	1,000
83	71241	71241	1,000
84	12047	12047	1,000
85	13064	13064	1,000
86	25480	25480	1,000
87	25965	25965	1,000
88	25966	25966	1,000
89	70086	70086	1,000
90	9017	9017	1,000
91	71223	71223	1,000
92	21481	21481	1,000
93	32129	32129	1,000
94	32134	32134	1,000

Numero	Codice	Nome	Quantità
96	20564	20564	1,000
97	32115	32115	1,000
98	32119	32119	1,000
99	32133	32133	1,000
100	32102	32102	1,000
101	32103	32103	1,000
102	32140	32140	1,000
103	32108	32108	1,000
104	32107	32107	1,000
105	32022	32022	1,000
106	71327	71327	1,000
107	71328	71328	1,000
108	28317	28317	1,000
109	71343	71343	1,000
110	71373	71373	1,000
111	28315	28315	1,000
112	7035	7035	1,000
113	6169	6169	1,000
114	32000	32000	1,000



Numero	Codice	Nome	Quantità
1	22029	22029	1,000
2	71126	71126	1,000
3	71069	71069	1,000
4	32104	32104	1,000
5	37561	37561	1,000
6	37079	37079	1,000
7	30690	30690	1,000
8	71201		1,000
9	32126	32126	1,000
10	25149	25149	1,000
11	39327	39327	1,000
12	32136	32136	1,000
13	71205		1,000
14	28315	28315	1,000
15	30718	30718	1,000
16	32015	32015	1,000
17	37997	37997	1,000
18	71079	71079	1,000
19	25172	25172	1,000
20	25158	25158	1,000
21	1557	1557	1,000
22	30691	30691	1,000
23	32145	32145	1,000
24	20693	20693	1,000
26	25958	25958	1,000
27	32121	32121	1,000
28	25159	25159	1,000
29	25160	25160	1,000
30	71111	71111	1,000
31	25171	25171	1,000
32	6169	6169	1,000
33	32117	32117	1,000
34	32000	32000	1,000
35	32131	32131	1,000
36	26666	26666	1,000
37	25169	25169	1,000
38	32101	32101	1,000
39	25753	25753	1,000
40	32107	32107	1,000
41	25170	25170	1,000
42	25157	25157	1,000

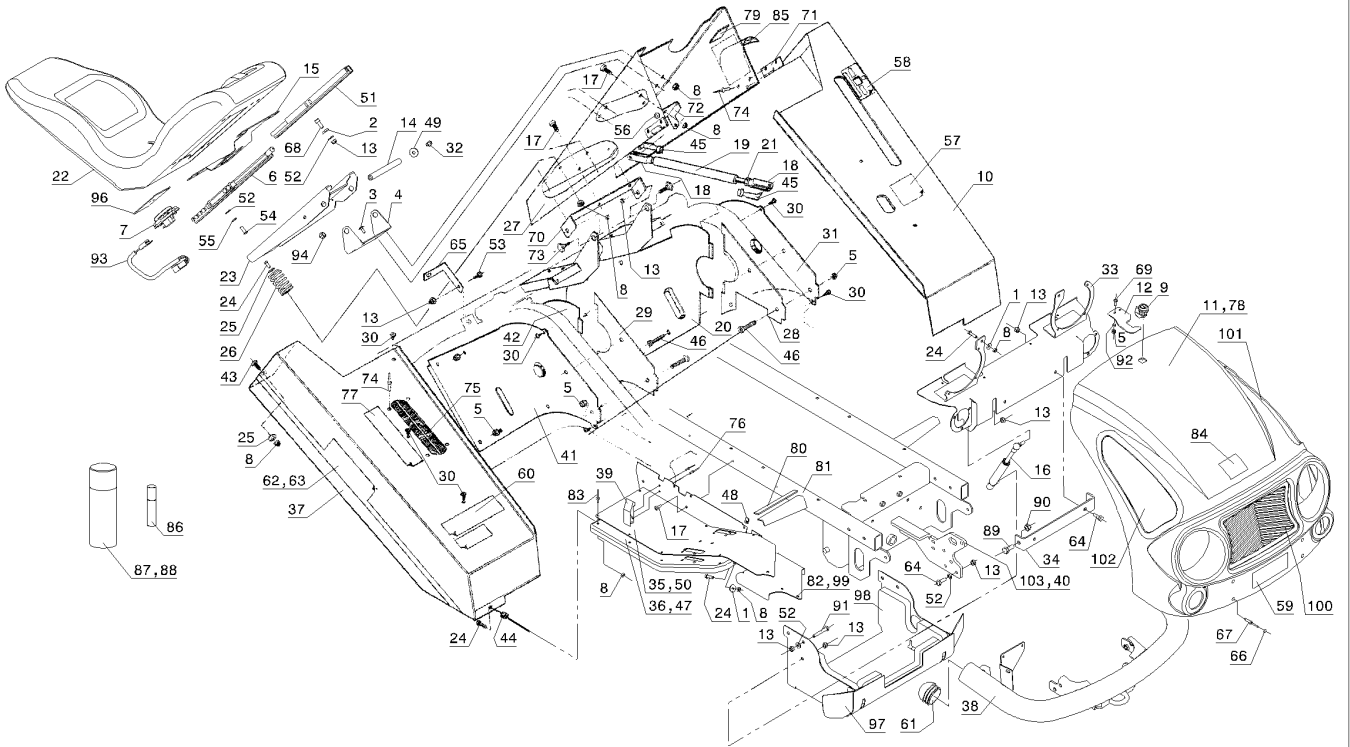
Numero	Codice	Nome	Quantità
43	71108	71108	1,000
44	25887	25887	1,000
45	71186	71186	1,000
46	5399	5399	1,000
47	26667	26667	1,000
48	6178	6178	1,000
49	7035	7035	1,000
50	32130	32130	1,000
51	30714	30714	1,000
52	7335		1,000
53	71413	71413	1,000
54	71373	71373	1,000
55	71343	71343	1,000
56	28317	28317	1,000
57	13020	13020	1,000
58	12005	12005	1,000
59	12048	12048	1,000
60	13222	13222	1,000
61	28056	28056	1,000
62	12038	12038	1,000
63	12039	12039	1,000
64	9056	9056	1,000
65	25907	25907	1,000
66	71328	71328	1,000
67	71327	71327	1,000
68	22011	22011	1,000
69	71231	71231	1,000
70	25164	25164	1,000
71	25754	25754	1,000
72	25166	25166	1,000
73	40102	40102	1,000
74	71114	71114	1,000
75	25755	25755	1,000
76	71139	71139	1,000
77	13040	13040	1,000
78	32022	32022	1,000
79	25945	25945	1,000
80	25946	25946	1,000
81	26281	26281	1,000
82	32132	32132	1,000
83	71241	71241	1,000

Numero	Codice	Nome	Quantità
84	12047	12047	1,000
85	13064	13064	1,000
86	25480	25480	1,000
87	25965	25965	1,000
88	25966	25966	1,000
89	70086	70086	1,000
90	9017	9017	1,000
91	71223	71223	1,000
92	21481	21481	1,000
93	30688	30688	1,000
94	32219	32219	1,000
96	30689	30689	1,000
97	32115	32115	1,000
98	32119	32119	1,000
99	32133	32133	1,000
100	32102	32102	1,000
101	32103	32103	1,000
102	32140	32140	1,000
103	32108	32108	1,000

MVEHH EVOLUTION

111960 → .....

1.03

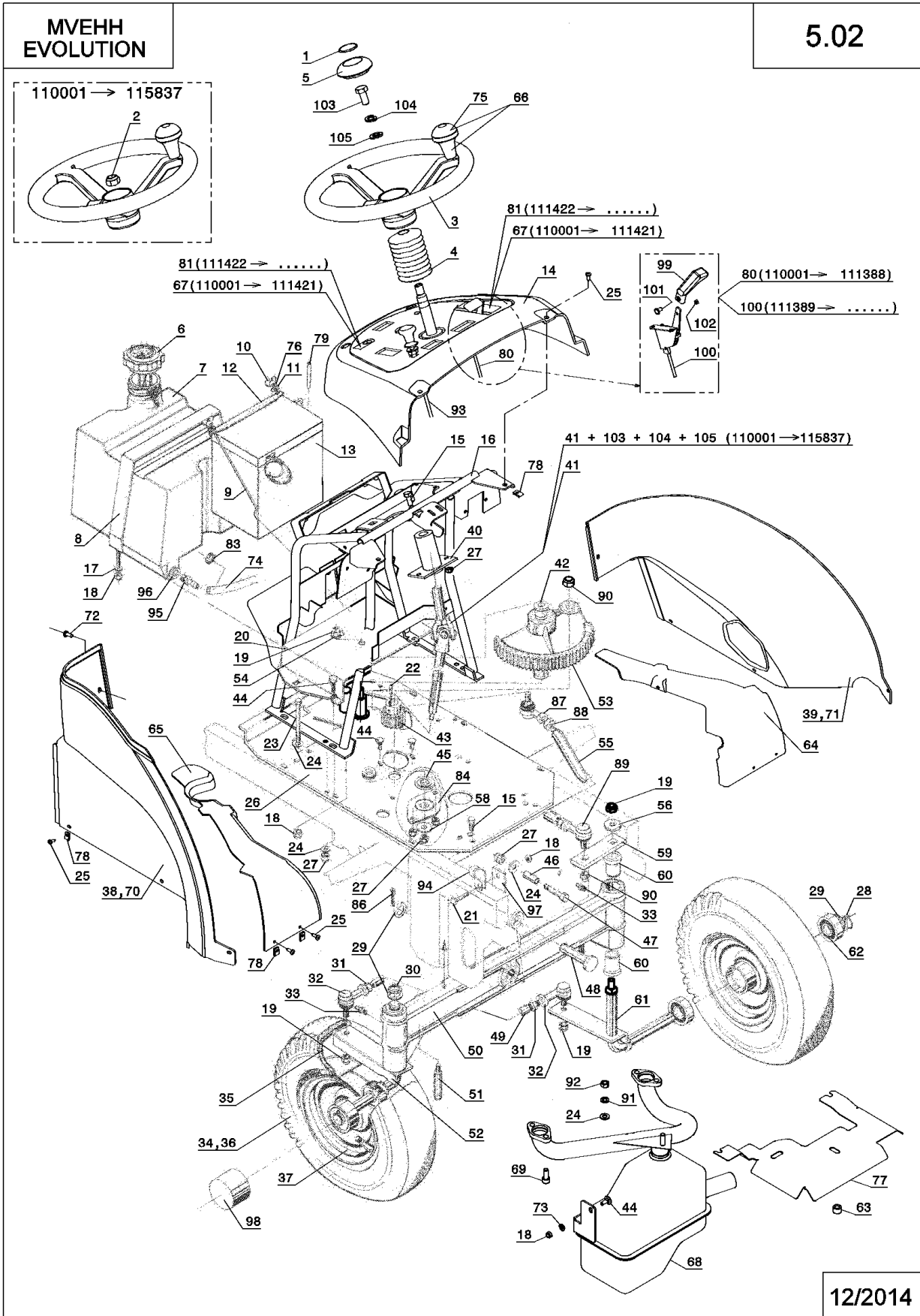


11/2007

Numero	Codice	Nome	Quantità
1	25330	25330	1,000
2	71063	71063	1,000
3	28725	28725	1,000
4	25329	25329	1,000
5	29978	29978	1,000
6	25261	25261	1,000
7	25260	25260	1,000
8	26301	26301	1,000
9	25844	25844	1,000
10	71029	71029	1,000
11	7094	7094	1,000
12	25845	25845	1,000
13	25800	25800	1,000
14	32011	32011	1,000
15	71413	71413	1,000
16	32077	32077	1,000
17	22029	22029	1,000
18	71201		1,000
19	9017	9017	1,000
20	25347	25347	1,000
21	37997	37997	1,000
22	71102	71102	1,000
23	71068	71068	1,000
24	7335		1,000
25	71111	71111	1,000
26	26257	26257	1,000
27	71205		1,000
28	71005	71005	1,000
29	71002	71002	1,000
30	21703	21703	1,000
31	71091	71091	1,000
32	25314	25314	1,000
33	25301	25301	1,000
34	25370	25370	1,000
35	25372	25372	1,000
36	25379	25379	1,000
37	25385	25385	1,000
38	32008	32008	1,000
39	32007	32007	1,000
40	25326	25326	1,000
41	25331	25331	1,000

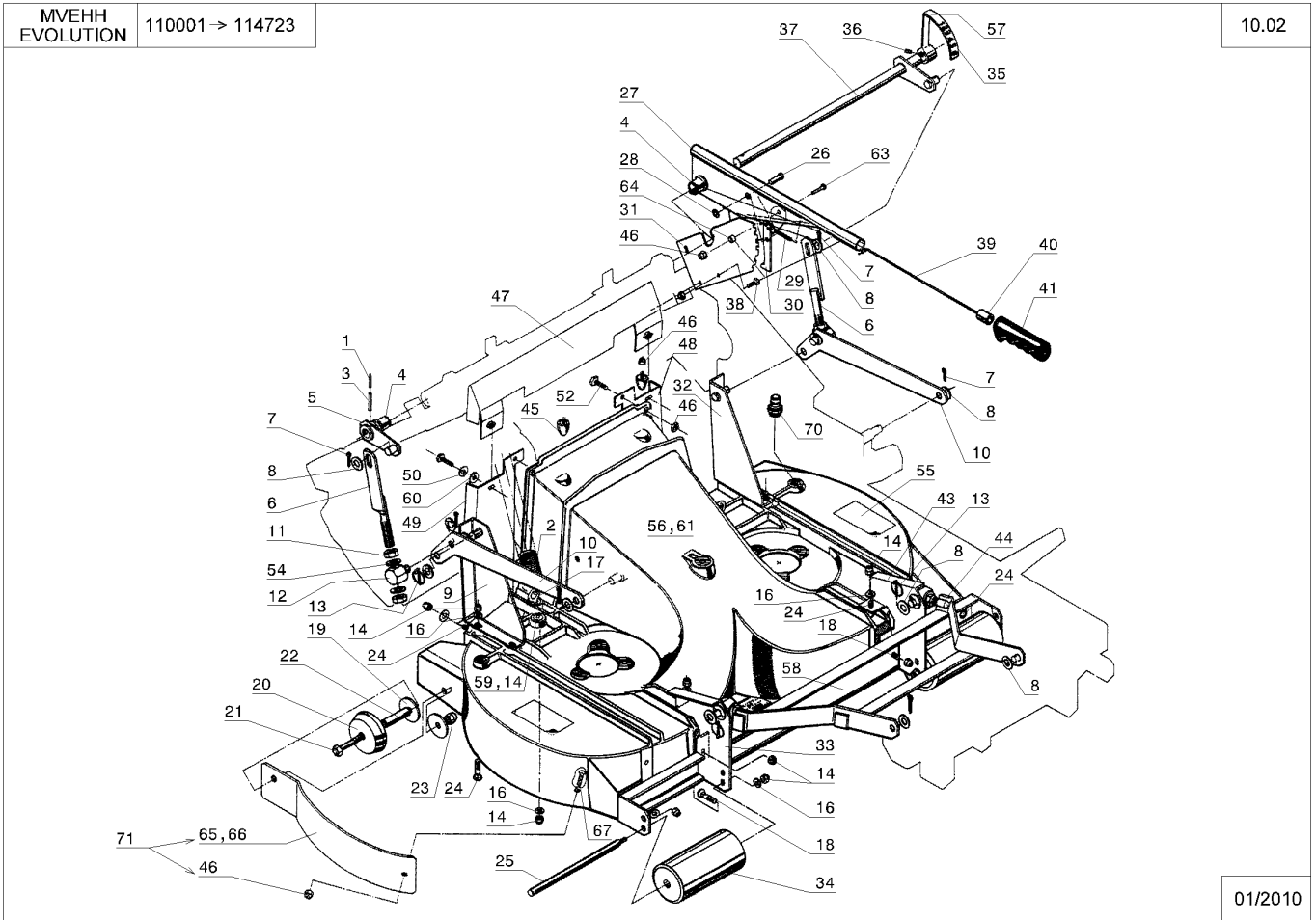
Numero	Codice	Nome	Quantità
42	25336	25336	1,000
43	32067	32067	1,000
44	21608	21608	1,000
45	25346	25346	1,000
46	25304	25304	1,000
47	21687	21687	1,000
48	25302	25302	1,000
49	25316	25316	1,000
50	26955	26955	1,000
51	25312	25312	1,000
52	26353	26353	1,000
53	25338	25338	1,000
54	21036	21036	1,000
55	25340	25340	1,000
56	9009	9009	1,000
58	7035	7035	1,000
59	26957	26957	1,000
60	25305	25305	1,000
61	26352	26352	1,000
62	25616	25616	1,000
63	42043	42043	1,000
64	32019	32019	1,000
65	32002	32002	1,000
66	29923	29923	1,000
67	13199	13199	1,000
68	32114	32114	1,000
69	22011	22011	1,000
70	32020	32020	1,000
71	32021	32021	1,000
73	2235	2235	1,000
74	30281	30281	1,000
75	28365	28365	1,000
76	32089	32089	1,000
77	35383	35383	1,000
78	21436	21436	1,000
79	25802	25802	1,000
80	32138	32138	1,000
81	13232	13232	1,000
83	37002	37002	1,000
84	21604	21604	1,000
86	71101	71101	1,000

Numero	Codice	Nome	Quantità
87	25306	25306	1,000
88	71093	71093	1,000
89	25345	25345	1,000
90	71157	71157	1,000
91	71343	71343	1,000
92	2020	2020	1,000
93	32137	32137	1,000
94	25262	25262	1,000
95	25258	25258	1,000
96	25259	25259	1,000
97	25715	25715	1,000
98	25176	25176	1,000
99	28177	28177	1,000
100	32030	32030	1,000
101	71224	71224	1,000
102	71225	71225	1,000
103	71324	71324	1,000
104	71325	71325	1,000
105	71035	71035	1,000



Numero	Codice	Nome	Quantità
1	71014	71014	1,000
2	25426	25426	1,000
3	71013	71013	1,000
4	25416	25416	1,000
5	26450	26450	1,000
6	26454	26454	1,000
7	71101	71101	1,000
8	71034	71034	1,000
9	26453	26453	1,000
10	25403	25403	1,000
11	1541	1541	1,000
12	25406	25406	1,000
13	71005	71005	1,000
14	71205		1,000
16	7335		1,000
17	25432	25432	1,000
18	9057	9057	1,000
19	7341	7341	1,000
20	25017	25017	1,000
21	71032	71032	1,000
22	25014	25014	1,000
23	9017	9017	1,000
24	5347	5347	1,000
25	53095		1,000
26	71041	71041	1,000
27	26456	26456	1,000
28	7377	7377	1,000
29	25422	25422	1,000
30	25419	25419	1,000
31	25420	25420	1,000
32	26452	26452	1,000
33	26100	26100	1,000
34	25015	25015	1,000
35	26457	26457	1,000
36	71355	71355	1,000
37	26451	26451	1,000
38	71413	71413	1,000
39	25729	25729	1,000
40	25429	25429	1,000
41	25421	25421	1,000
43	26101	26101	1,000

Numero	Codice	Nome	Quantità
44	26455	26455	1,000
45	25010	25010	1,000
46	71201		1,000
47	27087	27087	1,000
48	27064	27064	1,000
49	27016	27016	1,000
50	71049	71049	1,000
52	37997	37997	1,000
54	71035	71035	1,000
55	13062	13062	1,000
56	26950	26950	1,000
57	12081	12081	1,000
58	25018	25018	1,000
59	9071	9071	1,000
60	22029	22029	1,000
61	26946	26946	1,000
64	25887	25887	1,000
65	25024	25024	1,000
66	25023	25023	1,000
67	71108	71108	1,000
70	25019	25019	1,000
71	26833	26833	1,000

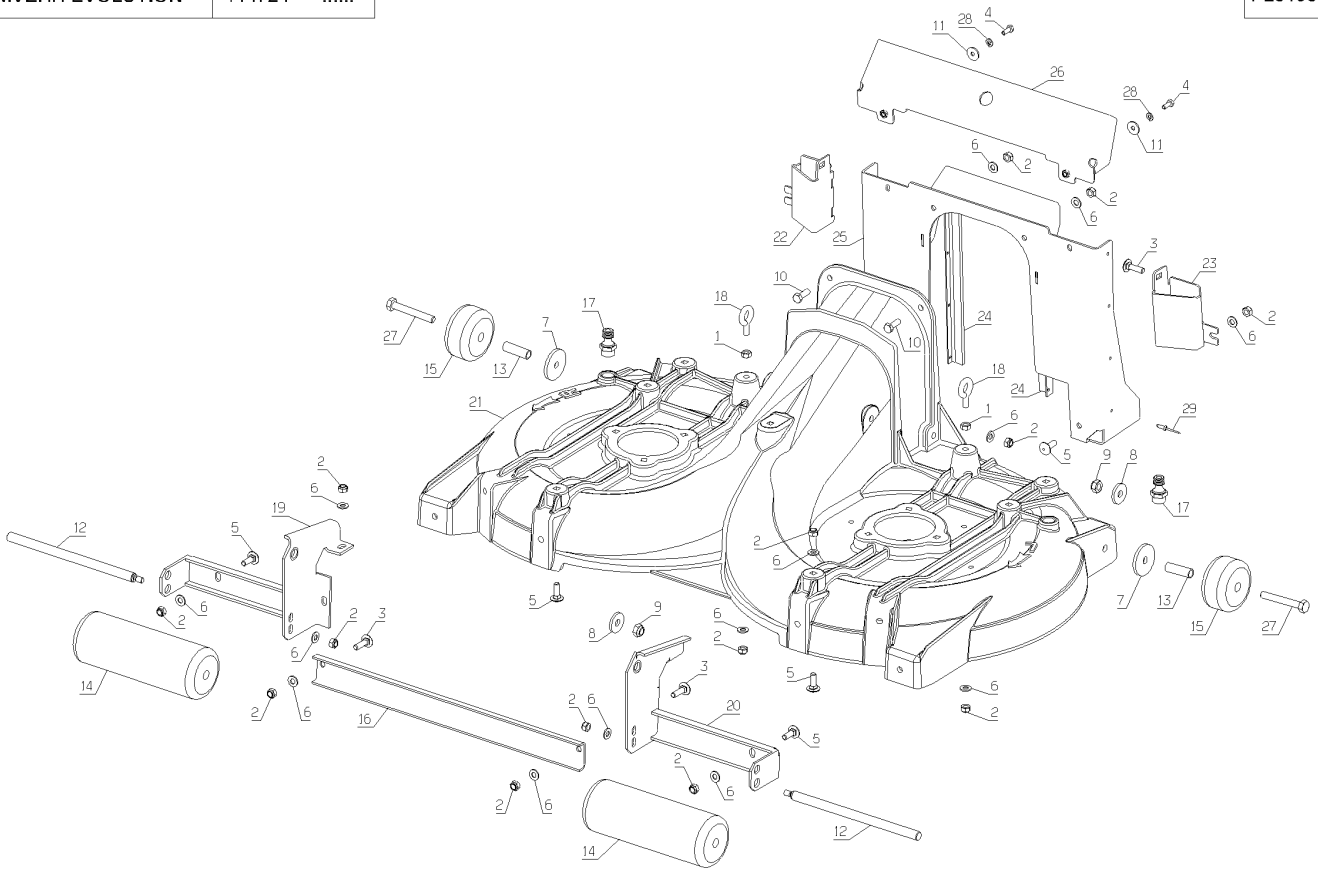


Numero	Codice	Nome	Quantità
1	2020	2020	1,000
2	71205		1,000
3	5041	5041	1,000
4	37997	37997	1,000
5	5347	5347	1,000
6	7335		1,000
7	7341	7341	1,000
8	9009	9009	1,000
9	9017	9017	1,000
10	9056	9056	1,000
11	22029	22029	1,000
12	53095		1,000
13	25014	25014	1,000
14	25015	25015	1,000
15	25017	25017	1,000
16	25018	25018	1,000
17	25019	25019	1,000
18	25432	25432	1,000
19	26100	26100	1,000
20	26101	26101	1,000
21	31000	31000	1,000
22	31170	31170	1,000
23	31173	31173	1,000
24	35085	35085	1,000
25	36091	36091	1,000
26	37315	37315	1,000
27	71032	71032	1,000
28	71049	71049	1,000
29	71113	71113	1,000

MVEHH EVOLUTION

114724 → .....

PL01537

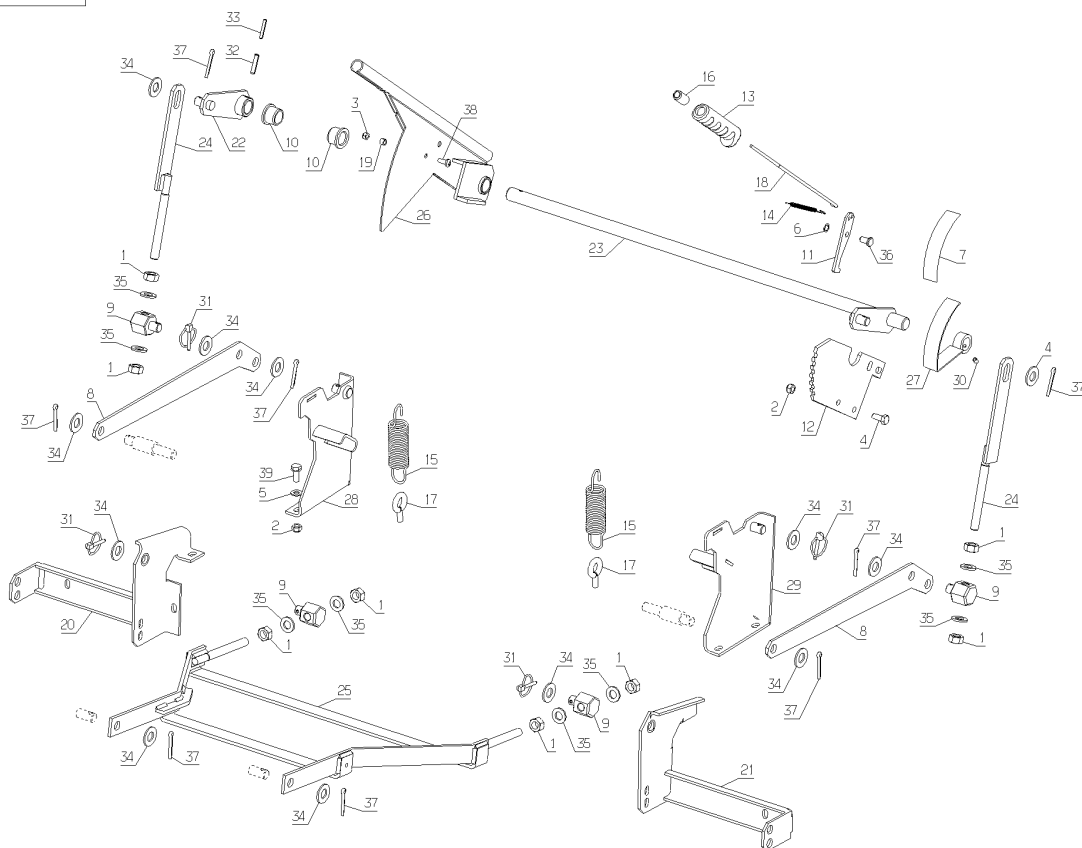


01/2010

Numero	Codice	Nome	Quantità
1	1541	1541	1,000
2	71205		1,000
3	71201		1,000
4	71413	71413	1,000
5	7335		1,000
6	7377	7377	1,000
7	12081	12081	1,000
8	25403	25403	1,000
9	25406	25406	1,000
10	25416	25416	1,000
11	25419	25419	1,000
12	25420	25420	1,000
13	25421	25421	1,000
14	25422	25422	1,000
15	25426	25426	1,000
16	25429	25429	1,000
17	25432	25432	1,000
18	25729	25729	1,000
19	25887	25887	1,000
20	26100	26100	1,000
21	26101	26101	1,000
22	26450	26450	1,000
23	26451	26451	1,000
24	26454	26454	1,000
25	26455	26455	1,000
26	26456	26456	1,000
27	26457	26457	1,000
28	37134	37134	1,000
29	37135	37135	1,000
30	71355	71355	1,000
31	71005	71005	1,000
32	71013	71013	1,000
33	71014	71014	1,000
34	71034	71034	1,000
35	71035	71035	1,000
36	71041	71041	1,000
37	71101	71101	1,000
38	37997	37997	1,000

MVEHH EVOLUTION

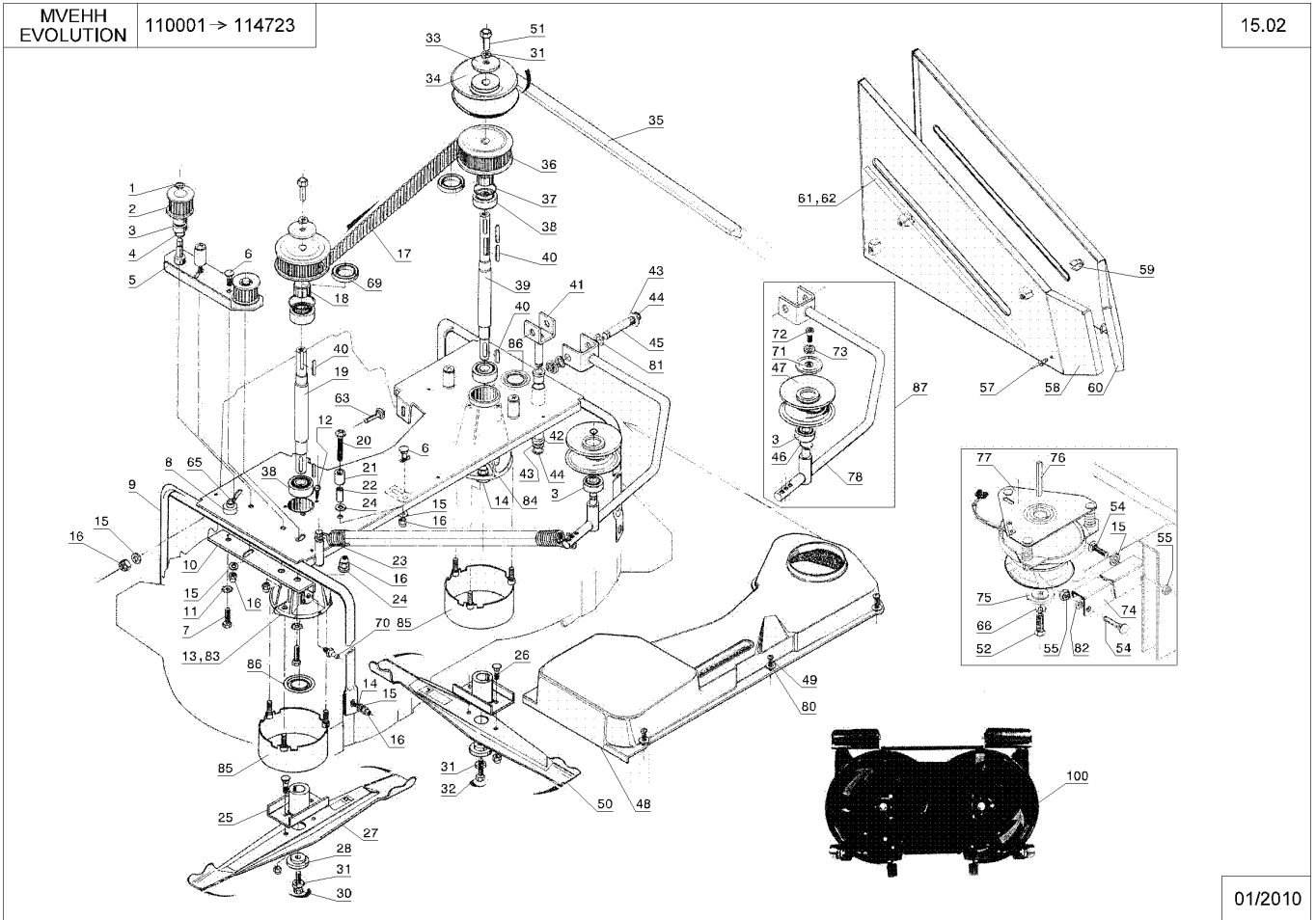
PL01540



02/2010

Numero	Codice	Nome	Quantità
1	71047	71047	1,000
2	31201	31201	1,000
3	25112	25112	1,000
4	71039	71039	1,000
5	26150	26150	1,000
6	9071	9071	1,000
7	9056	9056	1,000
8	25131	25131	1,000
9	26151	26151	1,000
10	25128	25128	1,000
11	71343	71343	1,000
12	5498	5498	1,000
13	52608		1,000
14	5041	5041	1,000
15	7335		1,000
16	71205		1,000
17	31203	31203	1,000
18	25129	25129	1,000
19	25103	25103	1,000
20	71170	71170	1,000
21	25102	25102	1,000
22	25107	25107	1,000
23	25124	25124	1,000
24	7035	7035	1,000
25	26155	26155	1,000
26	26357	26357	1,000
27	MZ102D	MZ102D	1,000
28	25132	25132	1,000
30	71031	71031	1,000
31	71052	71052	1,000
32	71242	71242	1,000
33	7341	7341	1,000
34	25108	25108	1,000
35	25115	25115	1,000
36	31202	31202	1,000
37	71037	71037	1,000
38	25475	25475	1,000
39	25104	25104	1,000
40	71006	71006	1,000
41	26153	26153	1,000
42	25512	25512	1,000

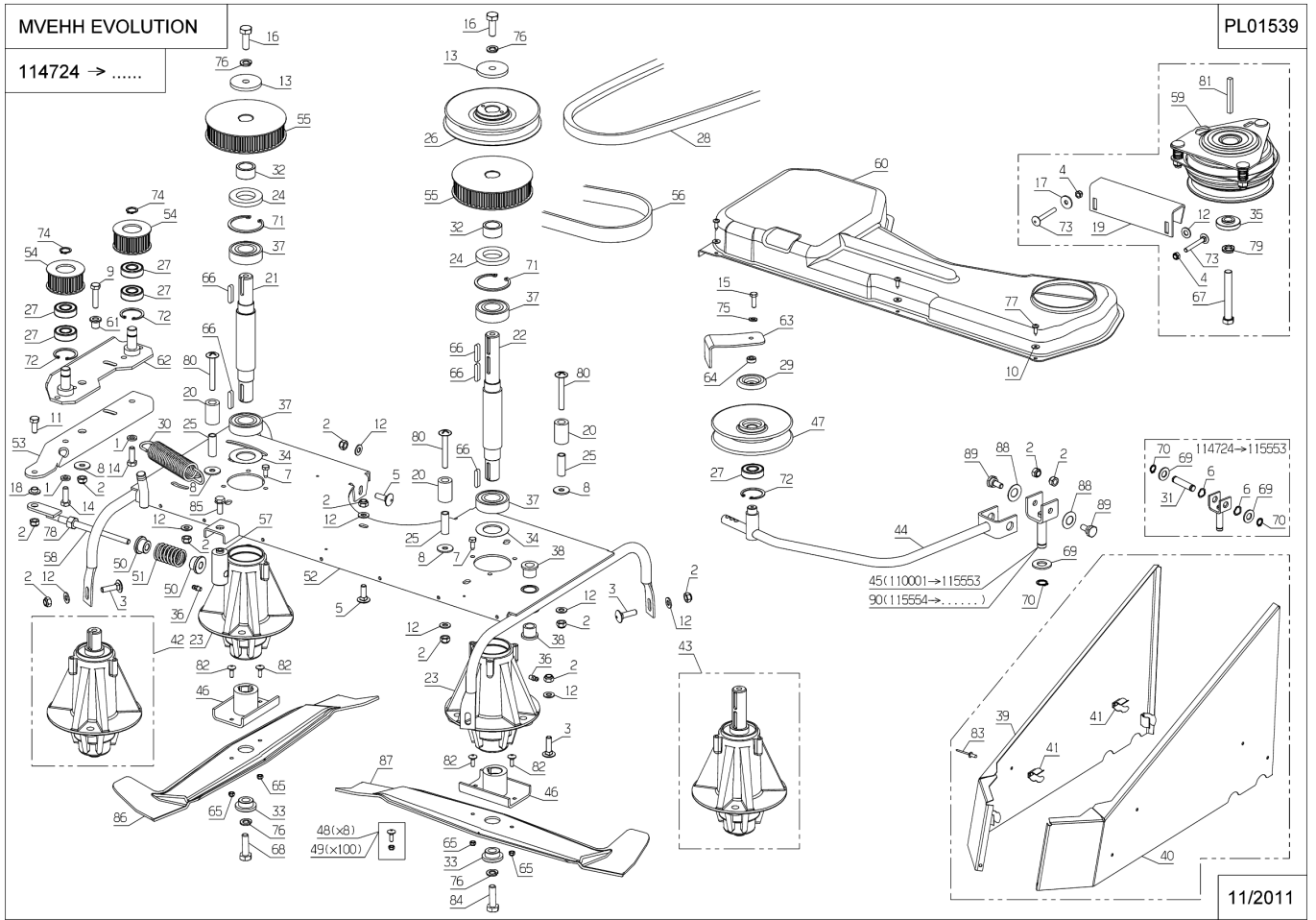
Numero	Codice	Nome	Quantità
43	71034	71034	1,000
44	71036	71036	1,000
45	25126	25126	1,000
47	26156	26156	1,000
48	25880	25880	1,000
49	71111	71111	1,000
50	MZ102G	MZ102G	1,000
51	71110	71110	1,000
52	71026	71026	1,000
54	71042	71042	1,000
55	71201		1,000
57	71241	71241	1,000
58	25881	25881	1,000
59	25886	25886	1,000
60	25882	25882	1,000
61	12041	12041	1,000
62	12042	12042	1,000
63	5347	5347	1,000
65	7038	7038	1,000
66	71159	71159	1,000
69	25106	25106	1,000
70	25301	25301	1,000
71	25117	25117	1,000
72	5020	5020	1,000
73	71049	71049	1,000
74	25053	25053	1,000
75	25288	25288	1,000
76	71192	71192	1,000
77	32013	32013	1,000
78	26152	26152	1,000
80	7094	7094	1,000
81	5411	5411	1,000
82	22029	22029	1,000
83	26106	26106	1,000
84	26107	26107	1,000
85	26030	26030	1,000
86	25143	25143	1,000
87	26154	26154	1,000
100	26946	26946	1,000



Numero	Codice	Nome	Quantità
1	71343	71343	1,000
2	71205		1,000
3	5041	5041	1,000
4	71201		1,000
5	5347	5347	1,000
6	5411	5411	1,000
7	5498	5498	1,000
8	7035	7035	1,000
9	7038	7038	1,000
10	7094	7094	1,000
11	71413	71413	1,000
12	7335		1,000
13	7341	7341	1,000
14	9056	9056	1,000
15	20507	20507	1,000
16	21035	21035	1,000
17	22029	22029	1,000
18	24052	24052	1,000
19	25053	25053	1,000
20	25102	25102	1,000
21	25103	25103	1,000
22	25104	25104	1,000
23	52608		1,000
24	25106	25106	1,000
25	25107	25107	1,000
26	25108	25108	1,000
27	25112	25112	1,000
28	25115	25115	1,000
29	25117	25117	1,000
30	25124	25124	1,000
31	25126	25126	1,000
32	25129	25129	1,000
33	25132	25132	1,000
34	25143	25143	1,000
35	25288	25288	1,000
36	25301	25301	1,000
37	25475	25475	1,000
38	25512	25512	1,000
39	25881	25881	1,000
40	25882	25882	1,000
41	25886	25886	1,000

Numero	Codice	Nome	Quantità
42	26106	26106	1,000
43	26107	26107	1,000
44	26152	26152	1,000
45	26153	26153	1,000
46	26155	26155	1,000
47	26156	26156	1,000
48	26157	26157	1,000
49	26357	26357	1,000
50	31024	31024	1,000
51	31025	31025	1,000
52	31028	31028	1,000
53	31064	31064	1,000
54	31201	31201	1,000
55	31202	31202	1,000
56	31203	31203	1,000
57	31205	31205	1,000
58	31215	31215	1,000
59	32013	32013	1,000
60	35127	35127	1,000
61	52306	52306	1,000
62	35177	35177	1,000
63	35561	35561	1,000
64	35572	35572	1,000
65	37561	37561	1,000
66	71006	71006	1,000
67	71026	71026	1,000
68	71031	71031	1,000
69	71034	71034	1,000
70	71036	71036	1,000
71	71037	71037	1,000
72	71039	71039	1,000
73	71042	71042	1,000
74	71047	71047	1,000
75	71049	71049	1,000
76	71052	71052	1,000
77	71111	71111	1,000
78	71158	71158	1,000
79	71159	71159	1,000
80	71170	71170	1,000
81	71192	71192	1,000
82	71231	71231	1,000

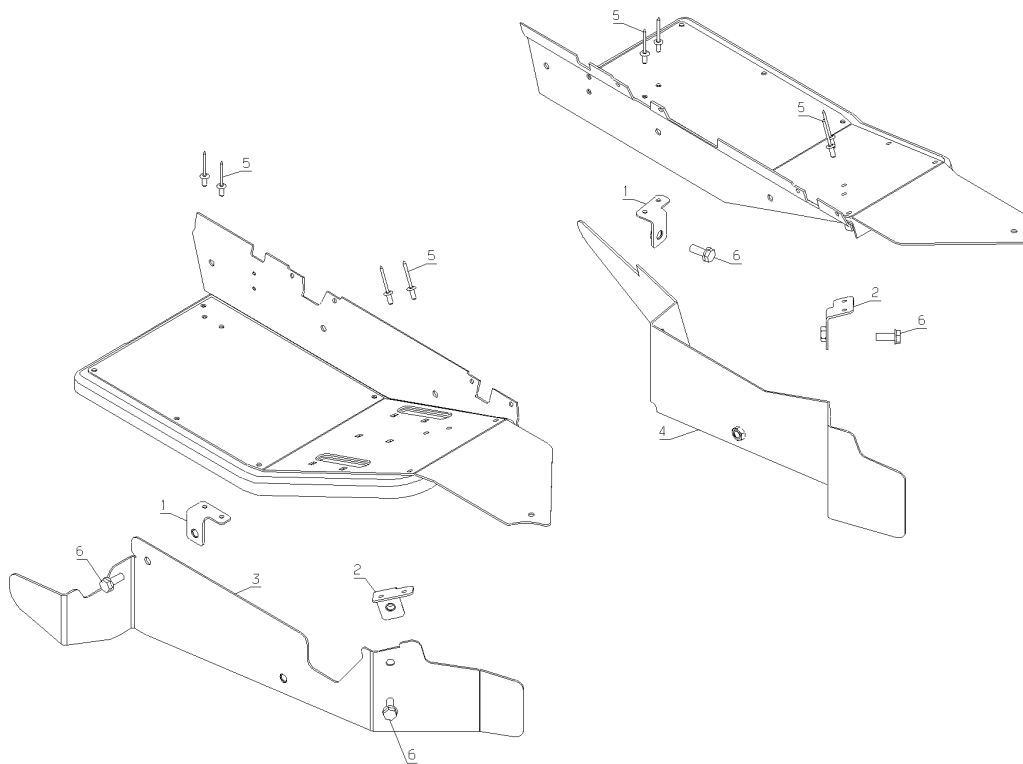
Numero	Codice	Nome	Quantità
83	71241	71241	1,000
84	71242	71242	1,000
86	MZ102D	MZ102D	1,000
87	MZ102G	MZ102G	1,000
88	39348	39348	1,000
89	39416	39416	1,000
90	39346	39346	1,000



Numero	Codice	Nome	Quantità
1	37149	37149	1,000
2	37150	37150	1,000
3	37152	37152	1,000
4	37154	37154	1,000
5	71241	71241	1,000
6	71413	71413	1,000

MVEHH EVOLUTION

PL01550

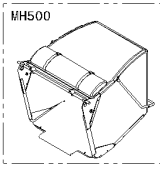
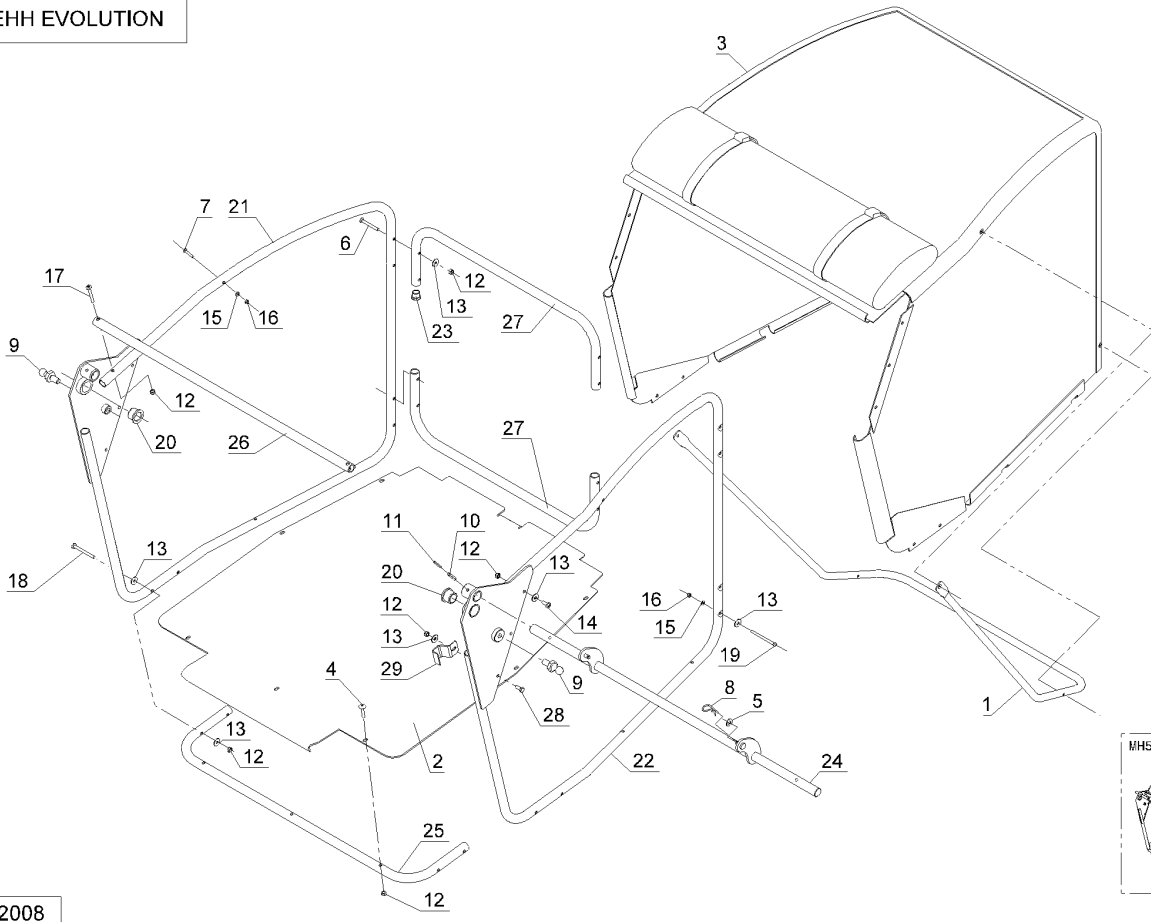


04/2010

Numero	Codice	Nome	Quantità
1	27092	27092	1,000
2	32056	32056	1,000
3	32058	32058	1,000
4	1506	1506	1,000
5	7335		1,000
6	20571	20571	1,000
7	20587	20587	1,000
8	27066	27066	1,000
9	29929	29929	1,000
10	71013	71013	1,000
11	71014	71014	1,000
12	71201		1,000
13	71096	71096	1,000
14	37997	37997	1,000
15	71305	71305	1,000
16	71308	71308	1,000
17	71337	71337	1,000
18	71358	71358	1,000
19	71392	71392	1,000
20	25416	25416	1,000
21	32062	32062	1,000
22	32063	32063	1,000
23	32071	32071	1,000
24	26831	26831	1,000
25	32050	32050	1,000
26	32060	32060	1,000
27	32061	32061	1,000
28	71084	71084	1,000
29	35897	35897	1,000

MVEHH EVOLUTION

20.02



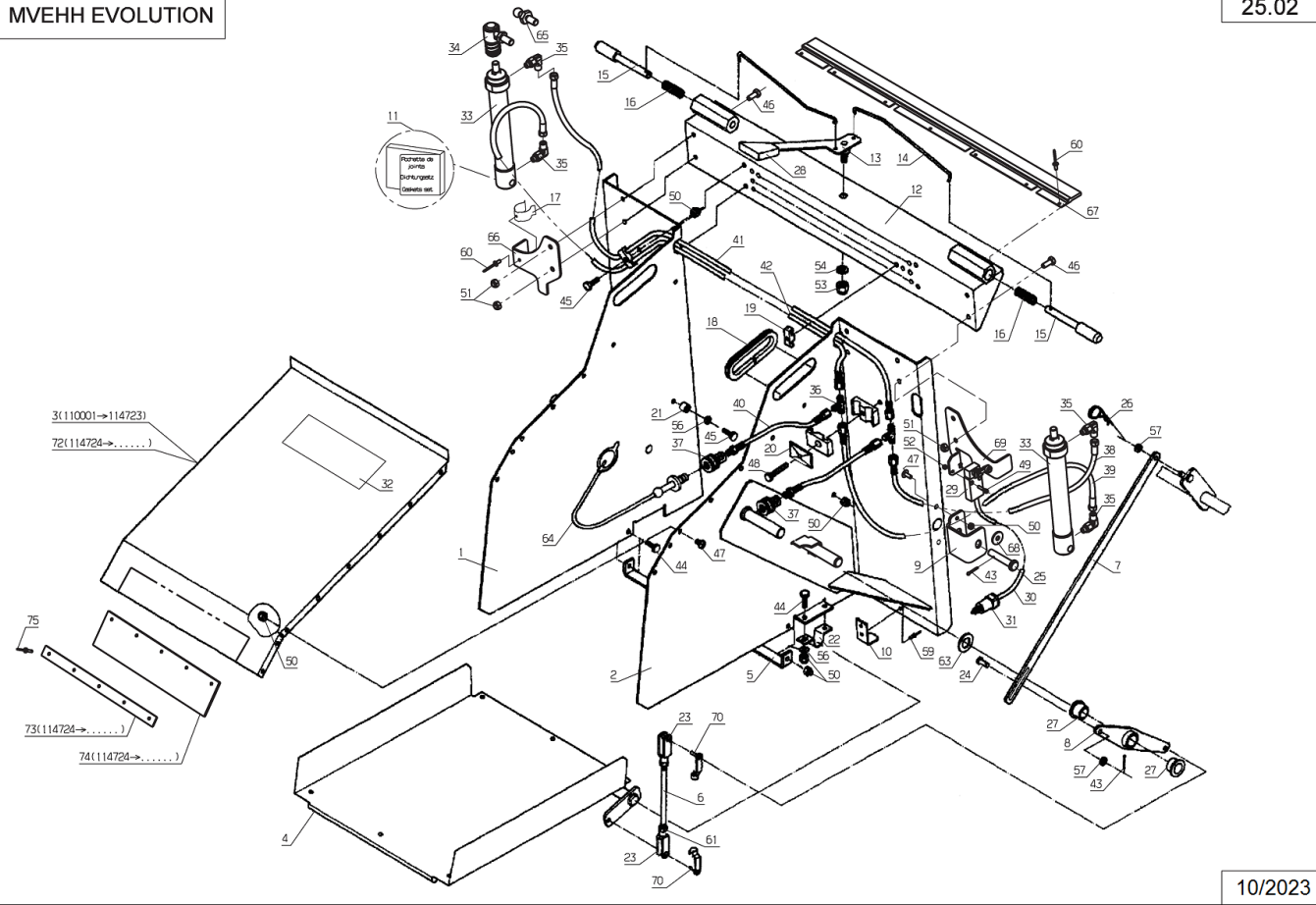
09/2008

Numero	Codice	Nome	Quantità
1	32066	32066	1,000
2	32065	32065	1,000
3	27068	27068	1,000
4	36095	36095	1,000
5	27006	27006	1,000
6	27015	27015	1,000
7	27013	27013	1,000
8	26824	26824	1,000
9	32053	32053	1,000
10	27051	27051	1,000
11	30457	30457	1,000
12	26836	26836	1,000
13	26827	26827	1,000
14	27030	27030	1,000
15	27027	27027	1,000
16	22457	22457	1,000
17	25878	25878	1,000
18	28254	28254	1,000
19	27118	27118	1,000
20	27111	27111	1,000
21	25012	25012	1,000
22	25711	25711	1,000
23	71077	71077	1,000
24	27050	27050	1,000
25	29333	29333	1,000
26	27066	27066	1,000
27	25416	25416	1,000
28	27071	27071	1,000
29	30097	30097	1,000
30	25791	25791	1,000
31	25792	25792	1,000
32	13063	13063	1,000
33	29400	29400	1,000
34	29378	29378	1,000
35	32001	32001	1,000
36	27022	27022	1,000
37	27122	27122	1,000
38	27020	27020	1,000
39	27018	27018	1,000
40	27019	27019	1,000
41	27124	27124	1,000

Numero	Codice	Nome	Quantità
42	27094	27094	1,000
43	71018	71018	1,000
44	37997	37997	1,000
45	20693	20693	1,000
46	71413	71413	1,000
47	71338	71338	1,000
48	21687	21687	1,000
49	71207	71207	1,000
50	71201		1,000
51	71205		1,000
52	21525	21525	1,000
53	9017	9017	1,000
54	21036	21036	1,000
56	2235	2235	1,000
57	7335		1,000
59	71241	71241	1,000
61	2020	2020	1,000
63	71002	71002	1,000
64	27125	27125	1,000
65	29929	29929	1,000
66	32092	32092	1,000
67	32069	32069	1,000
68	7035	7035	1,000
69	32091	32091	1,000
70	71169	71169	1,000
72	36089	36089	1,000
73	30168	30168	1,000
74	30167	30167	1,000
75	71112	71112	1,000

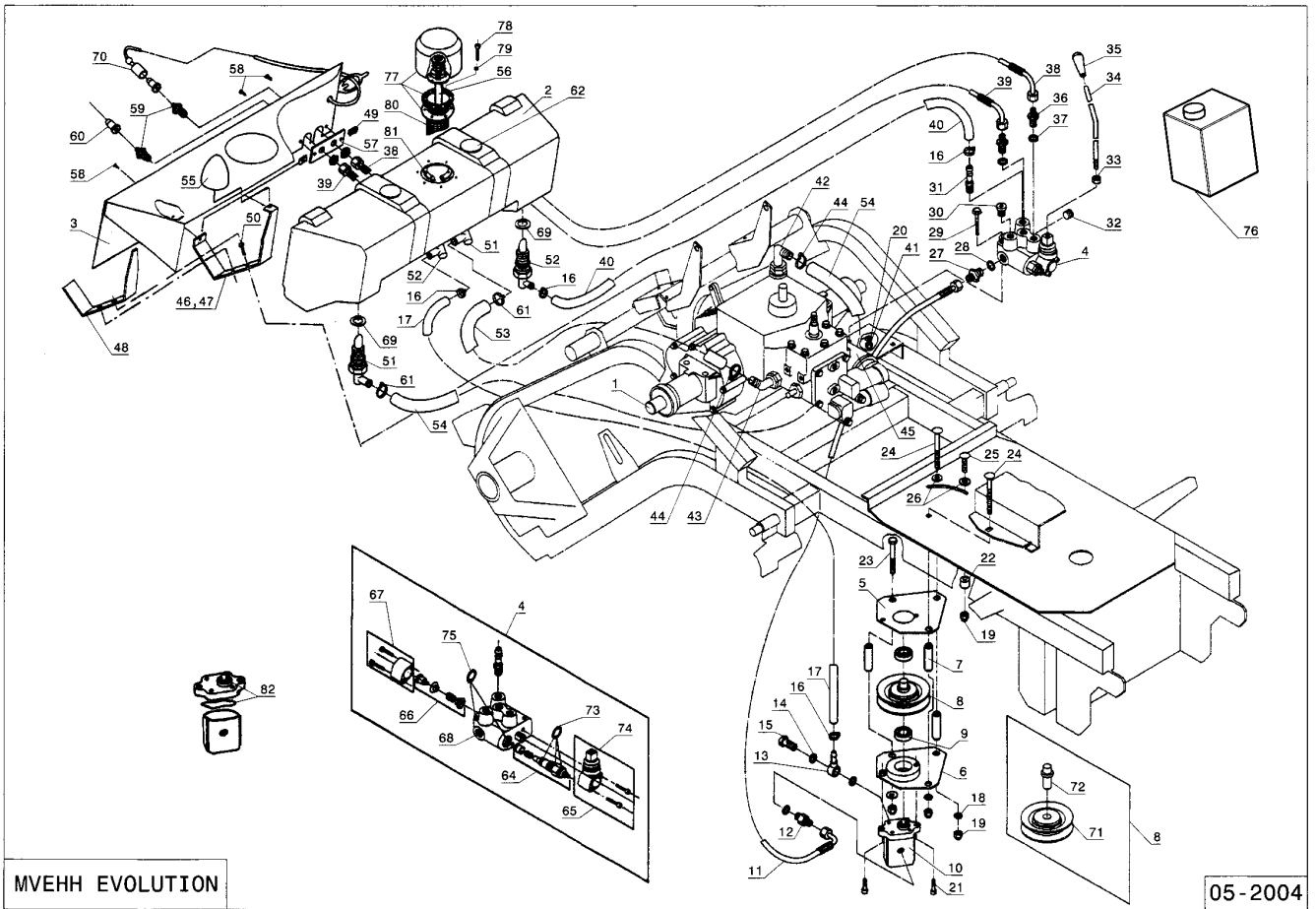
MVEHH EVOLUTION

25.02



Numero	Codice	Nome	Quantità
1	25640	25640	1,000
2	25692	25692	1,000
3	27127	27127	1,000
4	27090	27090	1,000
5	26524	26524	1,000
6	26526	26526	1,000
7	25670	25670	1,000
8	26528	26528	1,000
9	9022	9022	1,000
10	27080	27080	1,000
11	27088	27088	1,000
12	27089	27089	1,000
13	27082	27082	1,000
14	27084	27084	1,000
15	27083	27083	1,000
16	25694	25694	1,000
17	27081	27081	1,000
18	7335		1,000
19	71205		1,000
20	21270	21270	1,000
21	71044	71044	1,000
22	40068	40068	1,000
23	20513	20513	1,000
24	21512	21512	1,000
25	5041	5041	1,000
26	21036	21036	1,000
27	27097	27097	1,000
28	27112	27112	1,000
29	71342	71342	1,000
30	27098	27098	1,000
31	27129	27129	1,000
32	27021	27021	1,000
33	2020	2020	1,000
34	27130	27130	1,000
35	27131	27131	1,000
36	27120	27120	1,000
37	27085	27085	1,000
38	27119	27119	1,000
39	27121	27121	1,000
41	71201		1,000
42	25683	25683	1,000

Numero	Codice	Nome	Quantità
43	25682	25682	1,000
44	25007	25007	1,000
45	25646	25646	1,000
46	25690	25690	1,000
47	25695	25695	1,000
48	25696	25696	1,000
49	21436	21436	1,000
50	37997	37997	1,000
51	25677	25677	1,000
52	25676	25676	1,000
53	25684	25684	1,000
54	25685	25685	1,000
55	32125	32125	1,000
56	25679	25679	1,000
57	27110	27110	1,000
58	71111	71111	1,000
59	27115	27115	1,000
60	27116	27116	1,000
61	25673	25673	1,000
62	25879	25879	1,000
64	27101	27101	1,000
65	27102	27102	1,000
66	27103	27103	1,000
67	27104	27104	1,000
68	27100	27100	1,000
69	25675	25675	1,000
70	27126	27126	1,000
71	25669	25669	1,000
72	25672	25672	1,000
73	27198	27198	1,000
74	27197	27197	1,000
75	27199	27199	1,000
76	26785	26785	1,000
77	25697	25697	1,000
78	71152	71152	1,000
79	7094	7094	1,000
80	25698	25698	1,000
81	25699	25699	1,000
82	27196	27196	1,000



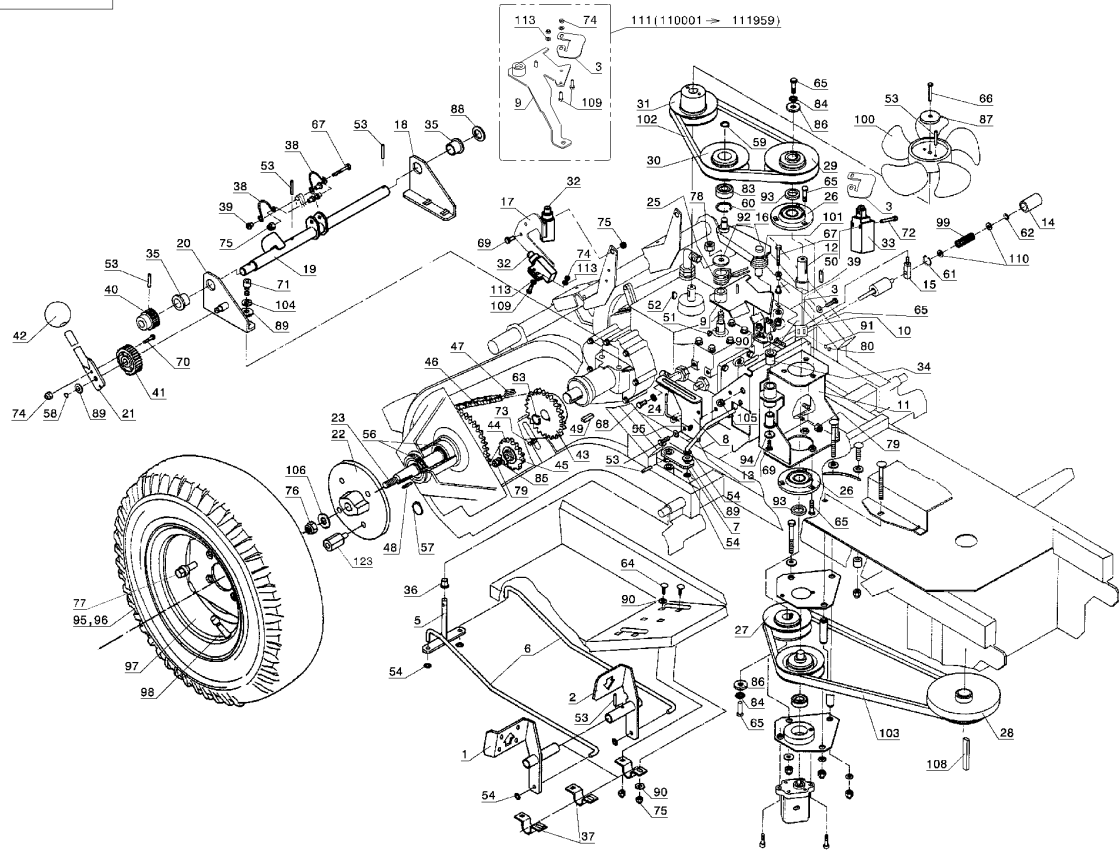
Numero	Codice	Nome	Quantità
1	26529	26529	1,000
2	26530	26530	1,000
3	32042	32042	1,000
4	21525	21525	1,000
5	26536	26536	1,000
6	25626	25626	1,000
7	26531	26531	1,000
8	25688	25688	1,000
9	32044	32044	1,000
10	32206	32206	1,000
11	26525	26525	1,000
12	25630	25630	1,000
13	25651	25651	1,000
14	25652	25652	1,000
15	25653	25653	1,000
16	26511	26511	1,000
17	32203	32203	1,000
18	25597	25597	1,000
19	32208	32208	1,000
20	26582	26582	1,000
21	25764	25764	1,000
22	32078	32078	1,000
23	26510	26510	1,000
24	25660	25660	1,000
25	25636	25636	1,000
26	52749		1,000
27	25526	25526	1,000
28	25529	25529	1,000
29	25527	25527	1,000
30	25509	25509	1,000
31	25638	25638	1,000
32	31405	31405	1,000
33	29258	29258	1,000
34	5455	5455	1,000
35	25416	25416	1,000
36	25564	25564	1,000
37	25711	25711	1,000
38	25773	25773	1,000
39	25769	25769	1,000
40	25772	25772	1,000
41	25771	25771	1,000

Numero	Codice	Nome	Quantità
42	25560	25560	1,000
43	25505	25505	1,000
44	25504	25504	1,000
45	25503	25503	1,000
46	25687	25687	1,000
47	25501	25501	1,000
48	71102	71102	1,000
49	71156	71156	1,000
50	71008	71008	1,000
51	71136	71136	1,000
52	71127	71127	1,000
53	71248	71248	1,000
54	7377	7377	1,000
55	6042	6042	1,000
56	25475	25475	1,000
57	71038	71038	1,000
58	20559	20559	1,000
59	71047	71047	1,000
60	71039	71039	1,000
61	71149	71149	1,000
62	5602	5602	1,000
63	71045	71045	1,000
64	71069	71069	1,000
65	71413	71413	1,000
66	71147	71147	1,000
67	22456	22456	1,000
68	71062	71062	1,000
69	37997	37997	1,000
70	1501	1501	1,000
71	71117	71117	1,000
72	71087	71087	1,000
73	9057	9057	1,000
74	37561	37561	1,000
75	71201		1,000
76	71053	71053	1,000
77	32152	32152	1,000
78	71146	71146	1,000
79	71205		1,000
80	71012	71012	1,000
83	25112	25112	1,000
85	71173	71173	1,000

Numero	Codice	Nome	Quantità
86	5444	5444	1,000
87	20021	20021	1,000
88	71002	71002	1,000
89	21036	21036	1,000
90	2235	2235	1,000
91	7094	7094	1,000
92	9009	9009	1,000
93	25348	25348	1,000
94	22029	22029	1,000
95	25380	25380	1,000
96	25373	25373	1,000
97	25387	25387	1,000
98	25375	25375	1,000
99	22457	22457	1,000
100	25639	25639	1,000
101	25511	25511	1,000
102	25632	25632	1,000
103	25680	25680	1,000
104	71052	71052	1,000
105	7915	7915	1,000
106	71034	71034	1,000
108	71192	71192	1,000
109	2009	2009	1,000
111	32204	32204	1,000
113	20564	20564	1,000
123	32079	32079	1,000

MVEHH EVOLUTION

35.02



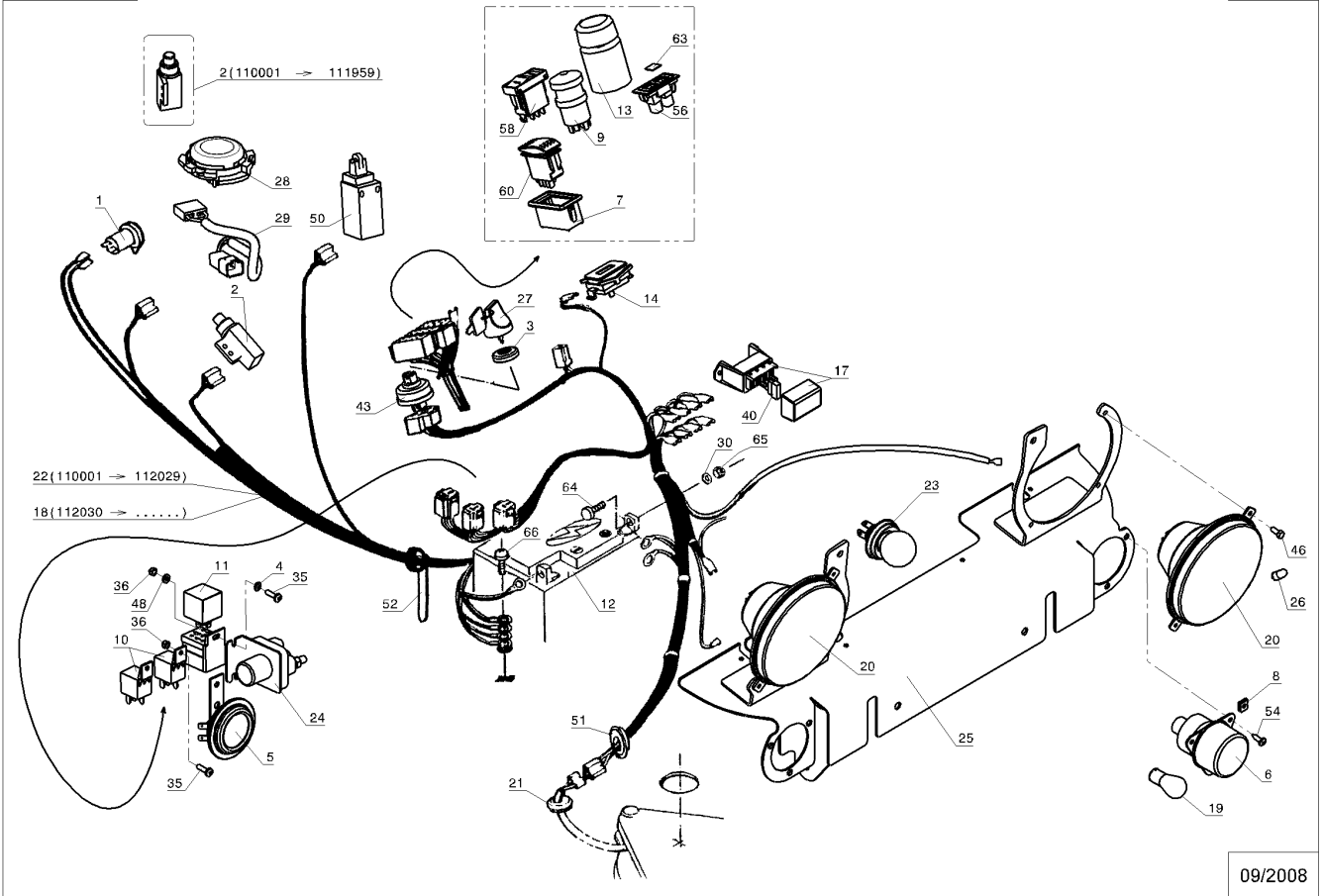
11/2007

Numero	Codice	Nome	Quantità
1	25822	25822	1,000
2	31405	31405	1,000
3	28382	28382	1,000
4	20564	20564	1,000
5	28209	28209	1,000
6	32215	32215	1,000
7	29274	29274	1,000
8	6178	6178	1,000
9	29624	29624	1,000
10	28392	28392	1,000
11	29563	29563	1,000
12	25800	25800	1,000
13	32200	32200	1,000
14	51640	51640	1,000
17	25803	25803	1,000
18	32220	32220	1,000
19	30695	30695	1,000
20	30275	30275	1,000
21	25818	25818	1,000
22	32210	32210	1,000
23	30016	30016	1,000
24	16604	16604	1,000
25	32117	32117	1,000
26	30015	30015	1,000
27	28388	28388	1,000
28	30690	30690	1,000
29	30688	30688	1,000
30	2235	2235	1,000
35	37996	37996	1,000
36	37561	37561	1,000
40	25826	25826	1,000
43	28384	28384	1,000
46	71284	71284	1,000
48	71200		1,000
50	29258	29258	1,000
51	25804	25804	1,000
52	30165	30165	1,000
54	71111	71111	1,000
56	25775	25775	1,000
58	29260	29260	1,000
60	52494		1,000

Numero	Codice	Nome	Quantità
63	25782	25782	1,000
64	20693	20693	1,000
65	1557	1557	1,000
66	22011	22011	1,000

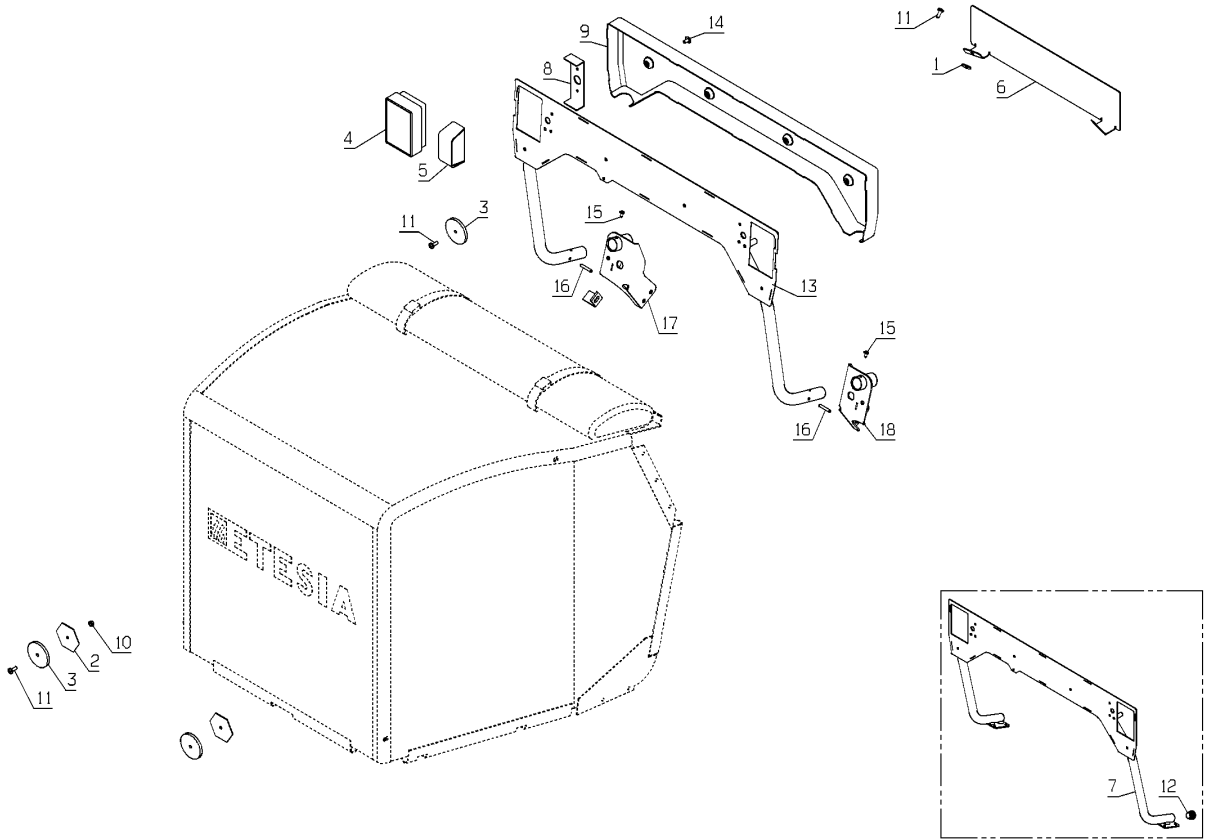
MVEHH  
EVOLUTION

40.03



Numero	Codice	Nome	Quantità
1	22029	22029	1,000
2	25080	25080	1,000
3	25095	25095	1,000
4	29314	29314	1,000
5	30021	30021	1,000
6	32012	32012	1,000
7	32024	32024	1,000
8	32026	32026	1,000
9	32029	32029	1,000
10	71201		1,000
11	37997	37997	1,000
12	29995	29995	1,000
13	35045	35045	1,000
14	71142	71142	1,000
15	71111	71111	1,000
16	20552	20552	1,000
17	35477	35477	1,000
18	35481	35481	1,000

40.04

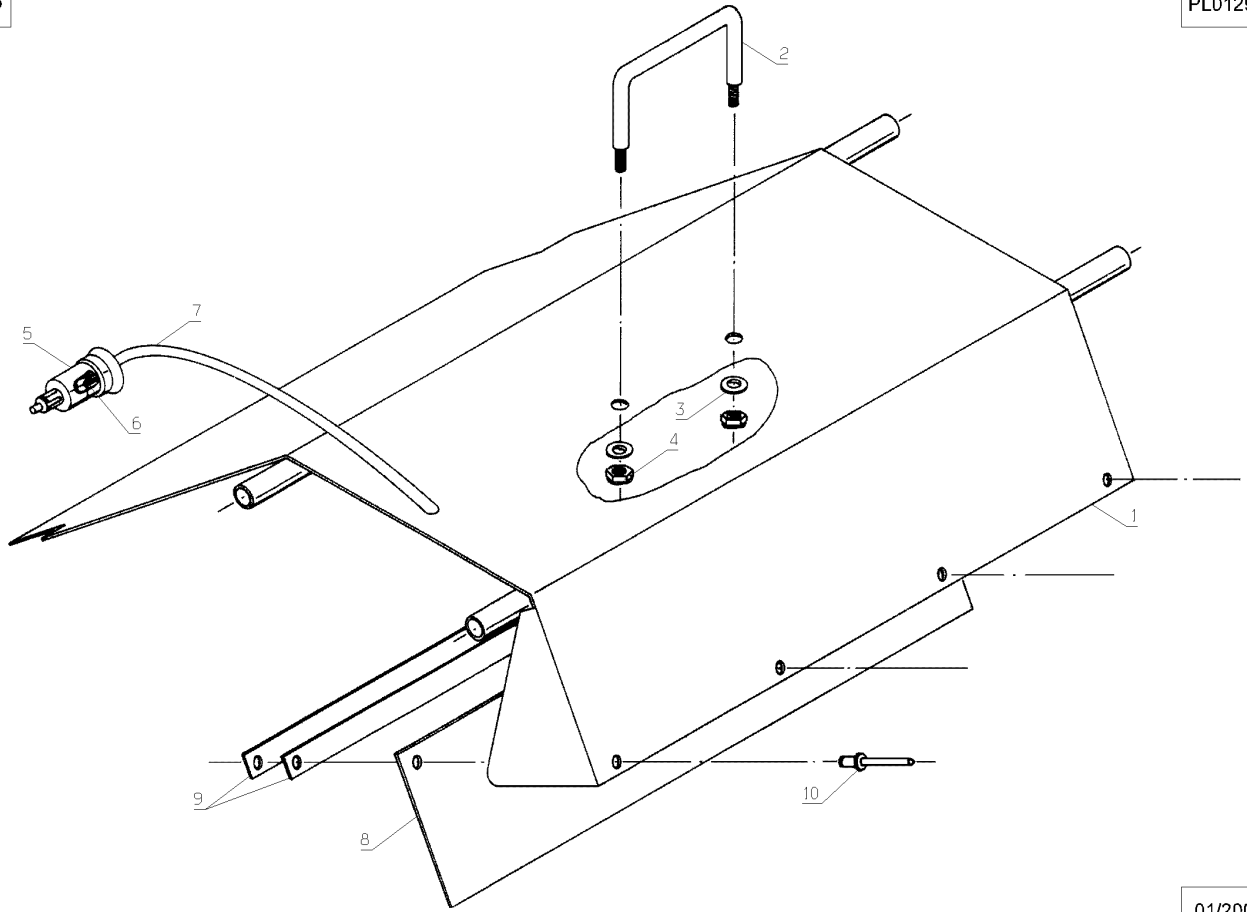


03/2013

Numero	Codice	Nome	Quantità
1	MDPRO	MDPRO	1,000
2	7369	7369	1,000
3	22029	22029	1,000
4	71201		1,000
5	25792	25792	1,000
6	26084	26084	1,000
7	26081	26081	1,000
8	26089	26089	1,000
9	26034	26034	1,000
10	71113	71113	1,000

MDPRO

PL01290

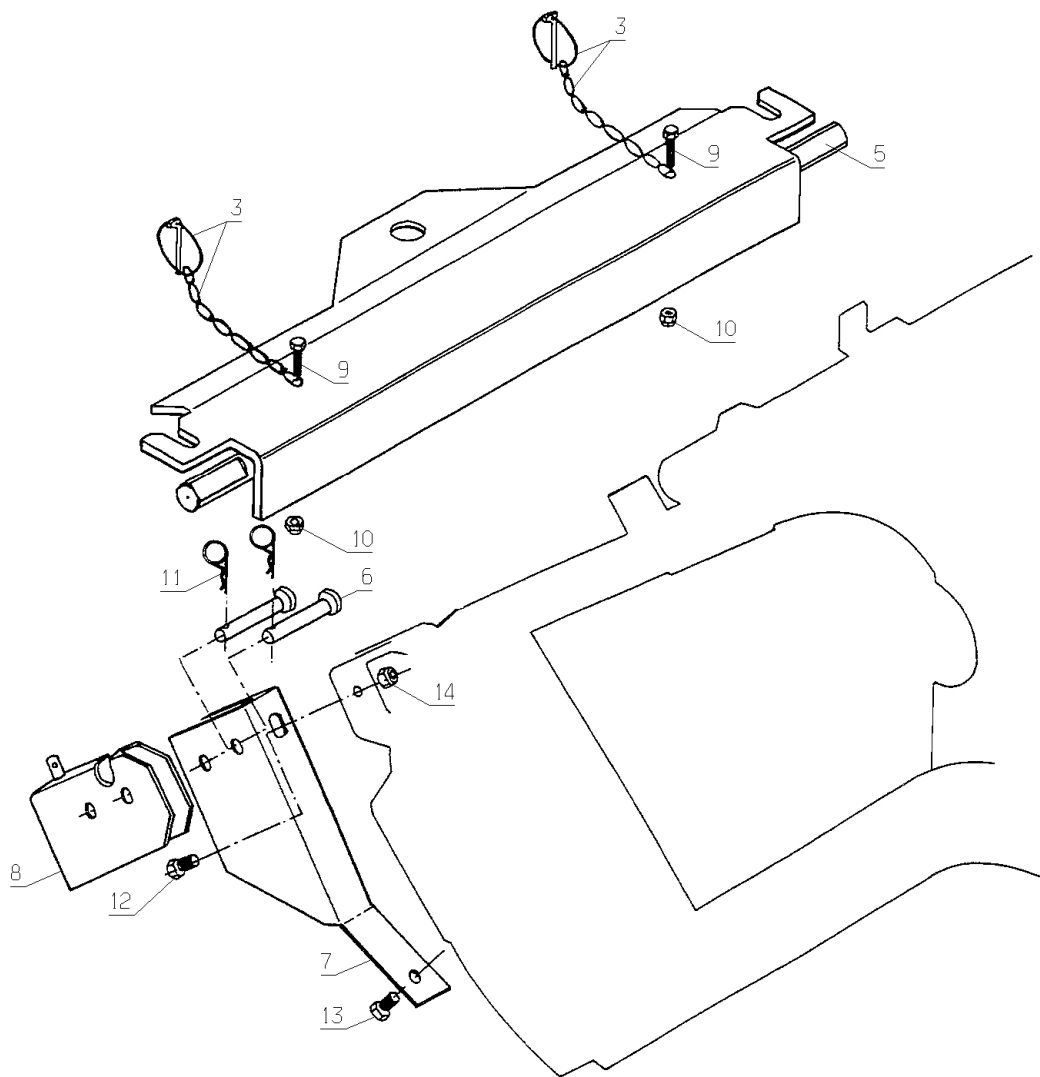


01/2007

Numero	Codice	Nome	Quantità
3	28075	28075	1,000
5	26772	26772	1,000
6	25916	25916	1,000
7	54928		1,000
8	54526		1,000
9	37996	37996	1,000
10	37561	37561	1,000
11	27066	27066	1,000
12	70086	70086	1,000
13	71413	71413	1,000
14	9017	9017	1,000

MR102

PL01315



08/2007